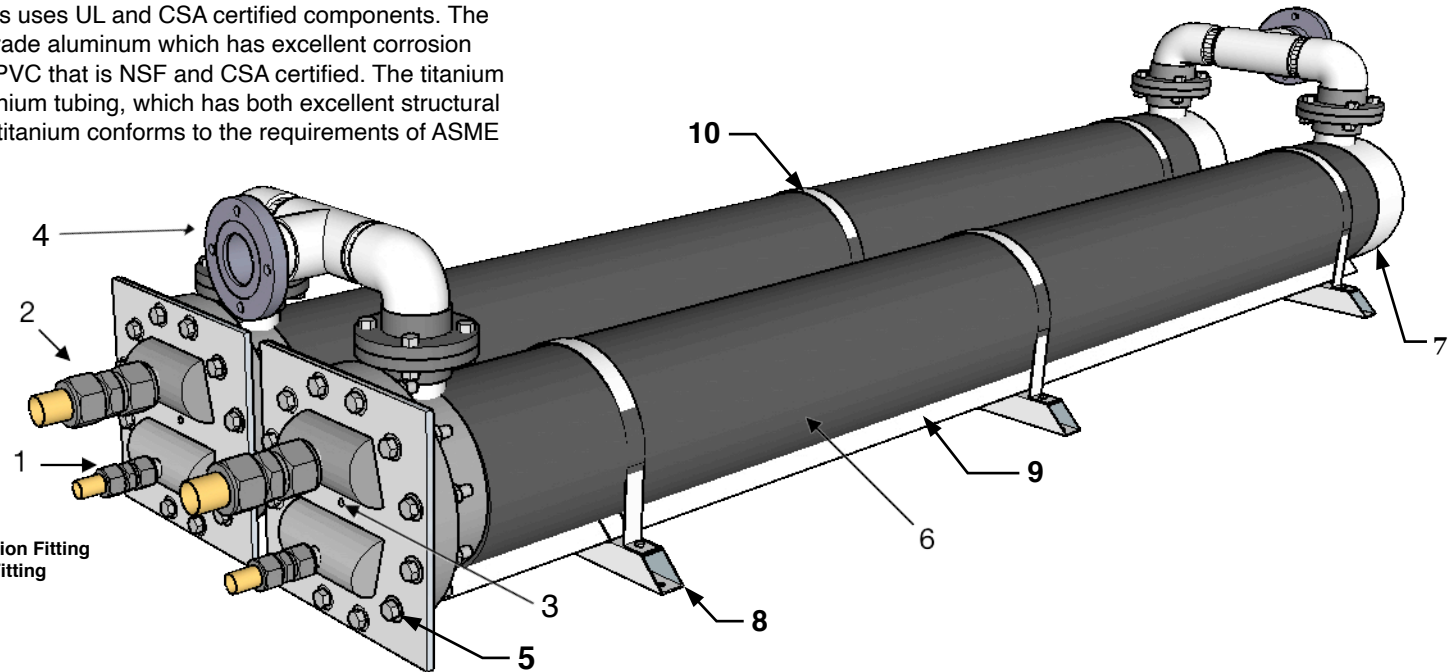


Specifications for TI-HXU-MB-25-X2 Titanium U-Bend & PVC insulated shell Heat Exchanger (Direct Expansion)

Marine Build's horizontal mounted exchanger packages uses UL and CSA certified components. The floor mounted aluminum frame is made from marine grade aluminum which has excellent corrosion resistant properties. The Chiller barrel shell is Sch-40 PVC that is NSF and CSA certified. The titanium u-bend is made out of Grade 2 Commercially Pure titanium tubing, which has both excellent structural strength as well as superior corrosion resistance. The titanium conforms to the requirements of ASME SB338-15

Note: Parallel plumbing configuration should be done in applications that require a high flow rate, because the water flow-rate will be cut in half in the chiller barrel when in parallel. **To accomplish the recommended flow rates on the chart, the overall flow rate should be doubled for parallel configurations.**



1. Refrigeration OUT Sweat connection coming off of a Compression Fitting
2. Refrigeration IN Sweat connection coming off of a Compression Fitting
3. 1/2" OD titanium dry-well for temperature sensor.
4. Water connection IN / OUT" 3" PVC flanged connection.
5. 304 Stainless steel hardware.
6. Mold Resistant Insulated 10" PVC shell .
7. 1" NPT Drain Plug.
8. Marine Grade Aluminum floor mount
9. Marine Grade Aluminum frame
10. 304 or 316 Stainless Steel Straps

Specifications for Ti-HXUH Titanium U-Bend & PVC insulated shell Heat Exchanger (Direct Expansion)

Model#	HP	BTUH	KW	Refrigeration		Water IN / OUT	Water Flow (GPM)		L	W	H	Ship WT(LBS)
				IN	OUT		Min	Max				
TI-HXU-MB-25-X2	50	600,000	175	Two: 1-3/8"	Two: 2-1/8"	3"	100	180	138"	37"	25"	N/A

- Nominal HP rating based on 12,000 BTUH using R22 Refrigerant, 68°F (20°C) water on process side @ 150gpm. Contact Marine Build for BTUH capacity at different water temperatures.
- Specifications subject to change without notice. Dimensions may vary, if size is critical please contact Marine Build to discuss options.

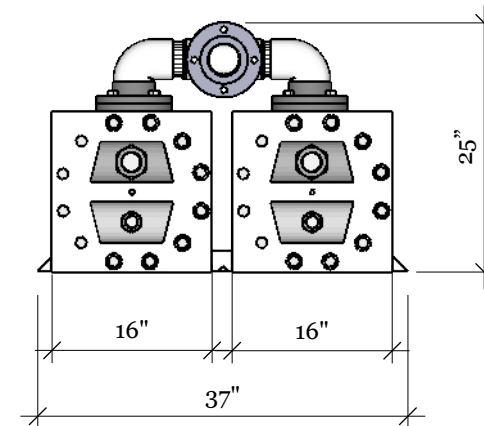
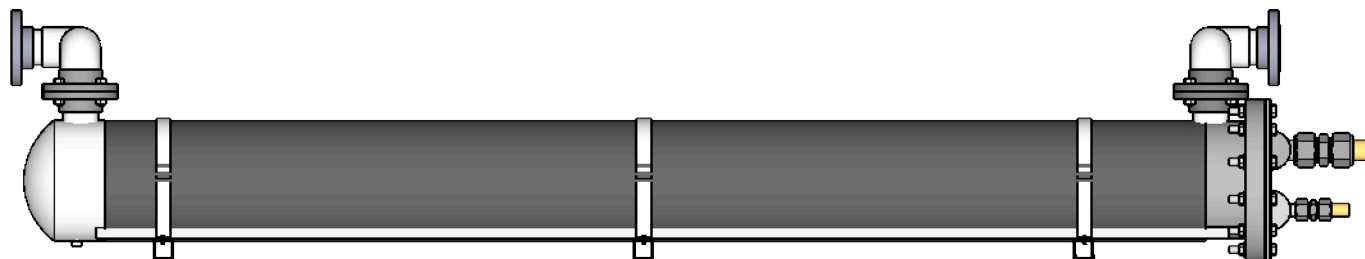
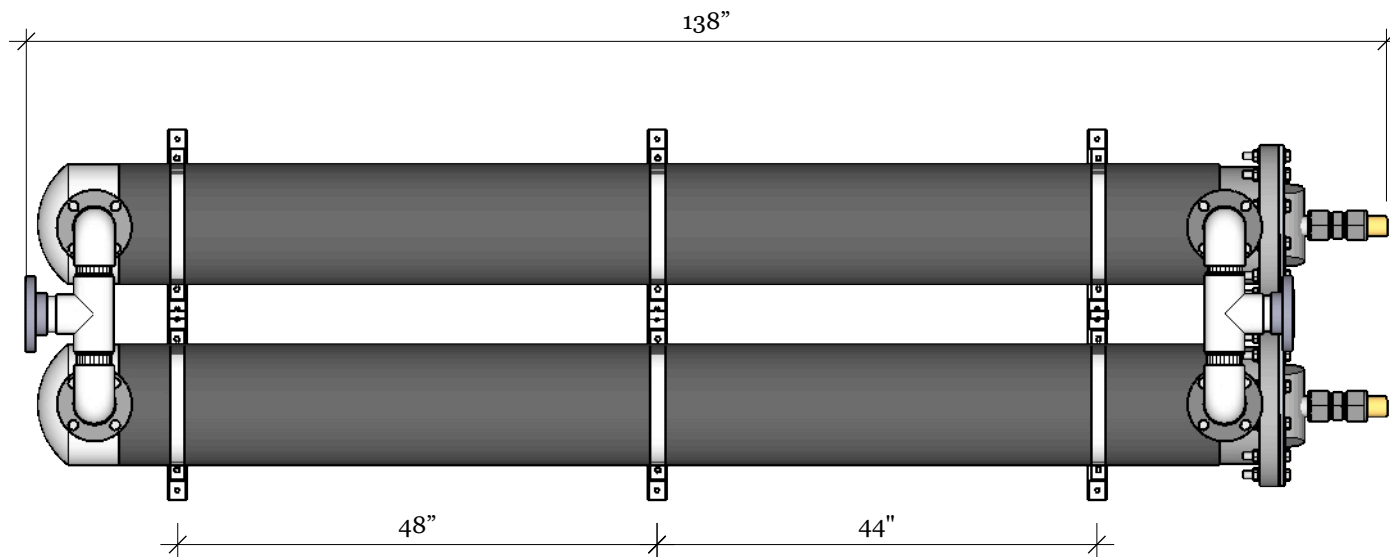
Specifications for Ti-HXU-MB-25-X2 Titanium U-Bend & PVC insulated shell Heat Exchanger (Direct Expansion) On frame

Marine Build Inc.

Ship To: 2790 Sunnyside Rd,
Anmore, BC V3H3C8
Cell: 604 970 0184
Email: edward@marinebuild.com



September 15, 2022



Isometric View



Ti-HXU-MB-25-X2

REVISIONS		
	MM/DD/YY	REMARKS
1	---/---/---	...
2	---/---/---	...
3	---/---/---	...
4	---/---/---	...
5	---/---/---	...

A 01